

TOP VIEW
(GASKET & LOCK WASHER
HIDDEN FOR CLARITY)

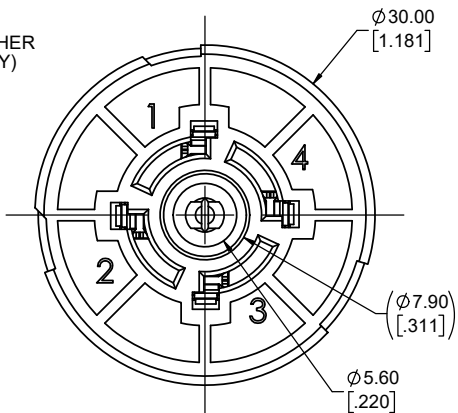


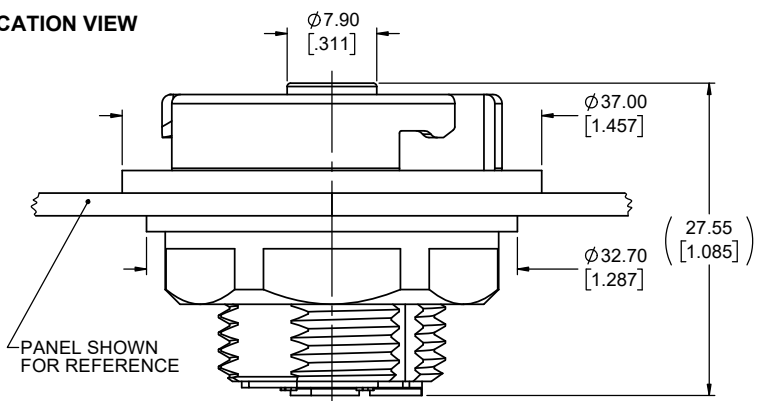
TABLE 1 - CONTACT ASSIGNMENT	
CONTACT NO.	ASSIGNMENT
1	+24V AUX POWER SUPPLY
2	DA- (NEGATIVE POLE FOR DALI PROTOCOL AND POWER) GROUND FOR 24V AUX POWER SUPPLY
3	DA+ (POSITIVE POLE FOR DALI PROTOCOL AND POWER)
4	NOT CONNECTED

REVISIONS			
REV	DESCRIPTION, ECN, EAR NO.	DATE	APP'D
D	PANEL CUTOUT UPDATED	DEC07/20	S.M.
E	PRODUCT DRAWING (EAR 14960)	DEC08/21	M.P.

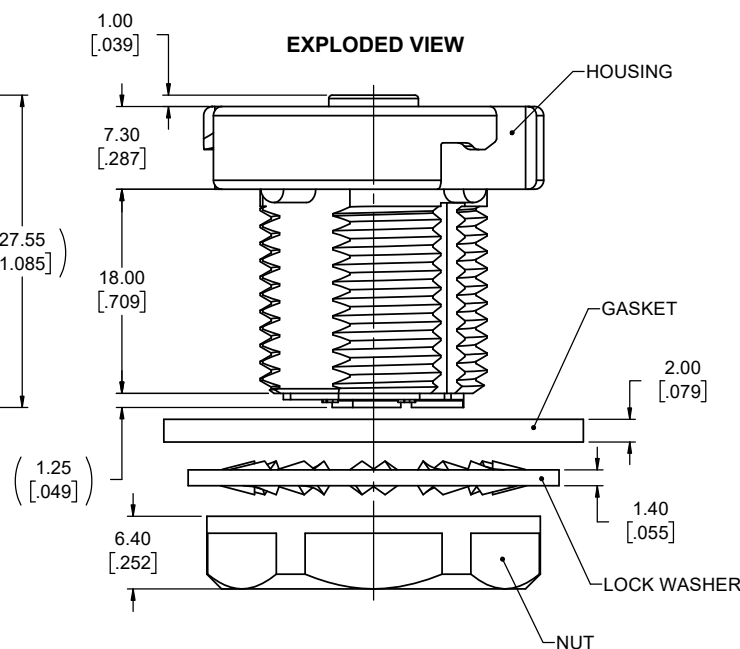
NOTES:

- MATERIALS: ALL MATERIALS ARE RoHS COMPLIANT PER EU DIRECTIVE 2011/65/EU & AMENDMENTS.
 - HOUSING, NUT, & INSERT: ENGINEERING THERMOPLASTIC, COLOUR: BLACK
 - CONTACTS: COPPER ALLOY, FINISH MATTE TIN OVER NICKEL
 - GASKET: SILICONE RUBBER, COLOUR: BLACK
 - LOCK WASHER: STAINLESS STEEL
- OPERATING TEMPERATURE: -40 TO +105°C
- ELECTRICAL CHARACTERISTICS:
 - CURRENT RATING: 1.5 A MAX PER CONTACT
 - VOLTAGE RATING: 30 VDC MAX
- WIRE SPECIFICATION:
 - SIZE: 20 TO 16 AWG (0.5 TO 1.5 mm²),
 - INSULATION O.D.: 3.00 [0.118] MAX
 - STRIP LENGTH: 8.00 TO 11.00 [0.315 TO 0.433]

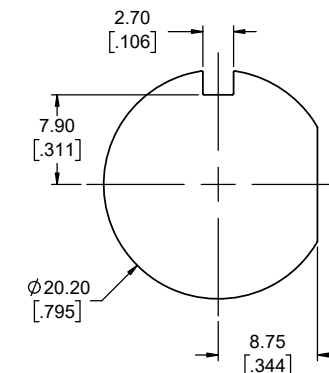
APPLICATION VIEW



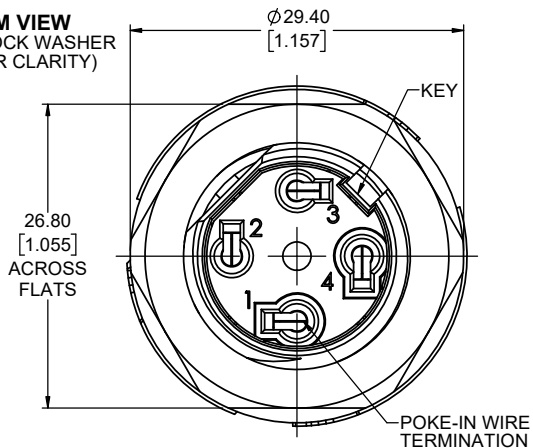
EXPLODED VIEW



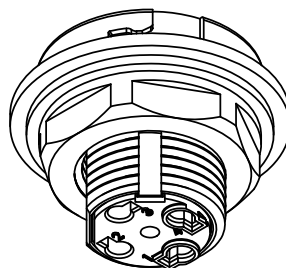
RECOMMENDED PANEL CUTOUT
THICKNESS RANGE: 1.50 [0.059] TO 6.00 [0.236]



BOTTOM VIEW
(GASKET & LOCK WASHER
HIDDEN FOR CLARITY)



AS SUPPLIED VIEW



AMPHENOL PART NUMBER: FLS-SR40-01



UNLESS SPECIFIED OTHERWISE	DRAWN	J.KONG	JUL25/18
PRIMARY UNITS MILLIMETERS	CHECKED	S.MUGAN	NOV27/18
SECONDARY UNITS INCHES	M.E. APP'D		
REFERENCE IN PARENTHESES	Q.A. APP'D		
GENERAL TOLERANCES	DWG APPR.		
1 DECIMAL PLACE	ENG. REL. NO.		
2 DECIMAL PLACES ±0.20	REF.		
3 DECIMAL PLACES	THIRD ANGLE PROJECTION		
ANGULAR DEGREES	DO NOT SCALE DRAWING		

Amphenol Canada Corp.
Commercial Products

FLS SERIES,
LUMINAIRE RECEPTACLE,
ZHAGA BOOK 18 COMPLIANT,
RoHS COMPLIANT

DWG. NO.	REV
P-FLS-SR40-01	E
CODE ID NO. 03554	DWG SIZE: X
SCALE: 3:1	SHEET 1 OF 1