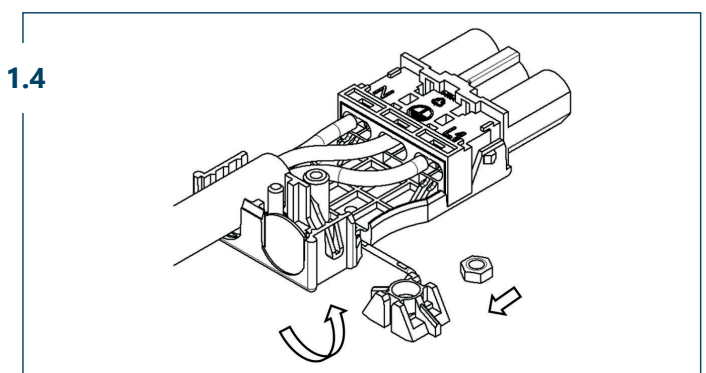
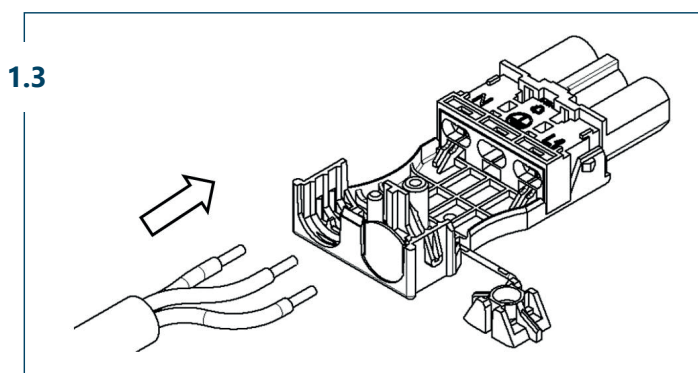
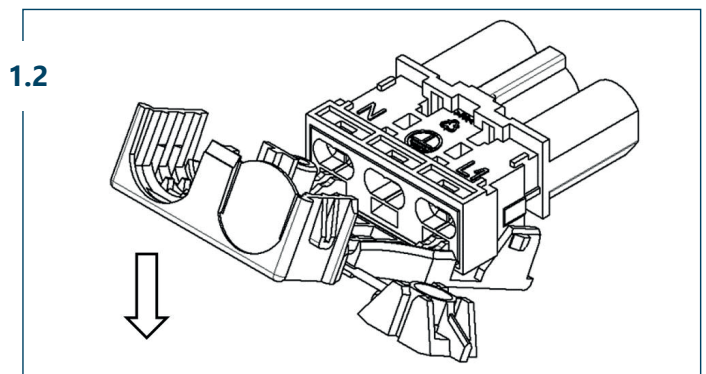
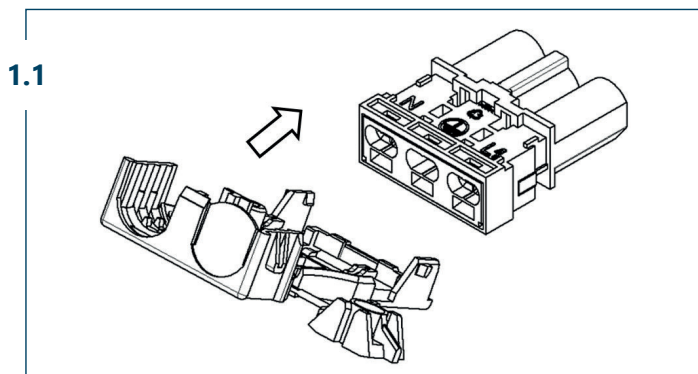
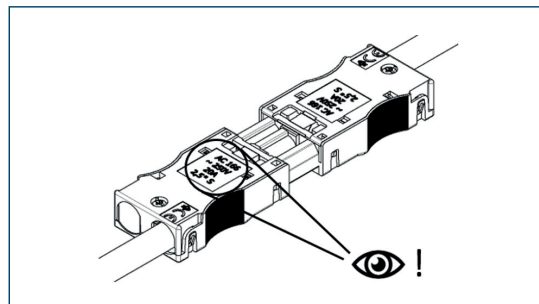
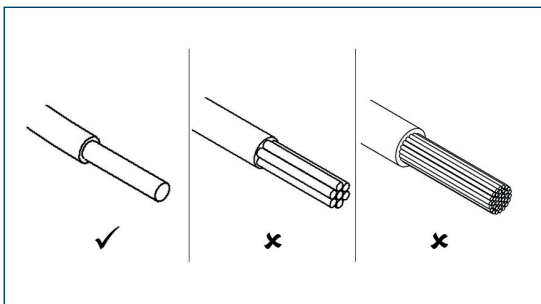
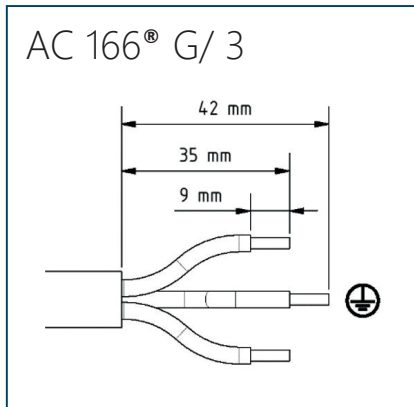
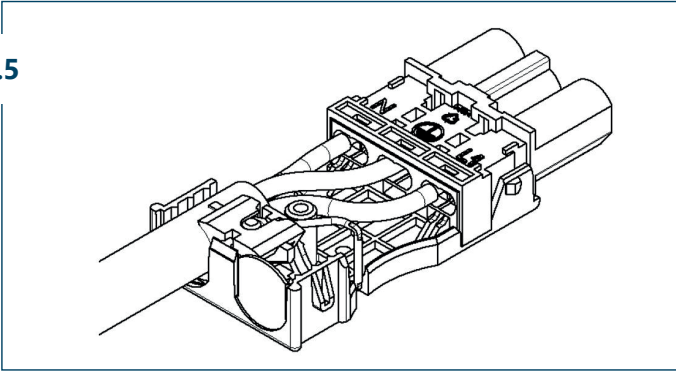


AC 166[®] GSTPF-GBUPF

Montage / Installation / Ensamblaje / Assemblaggio

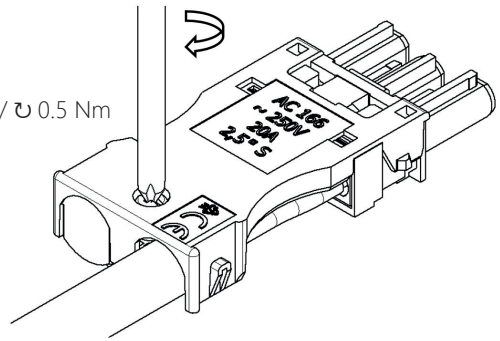


1.5

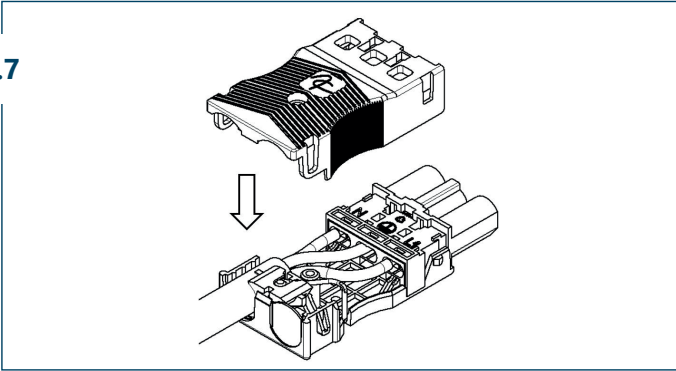


1.6

PZ 1 / \varnothing 0.5 Nm

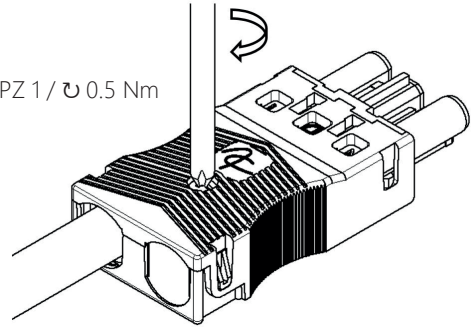


1.7



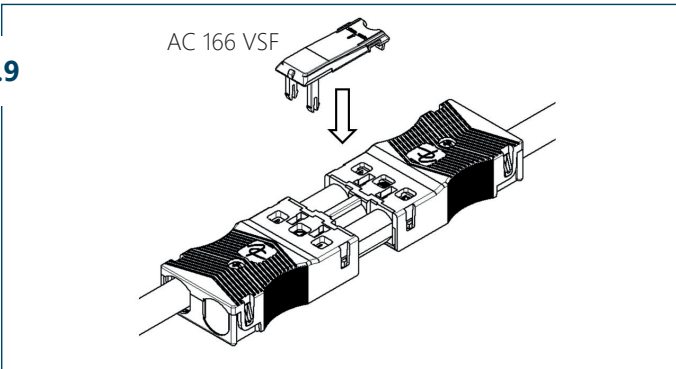
1.8

PZ 1 / \varnothing 0.5 Nm

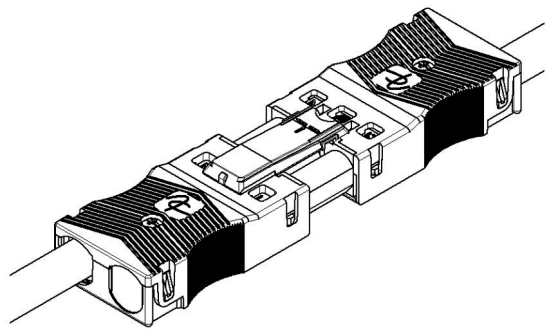


1.9

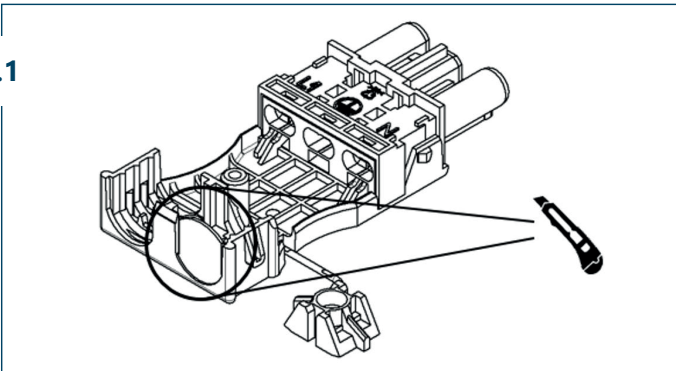
AC 166 VSF



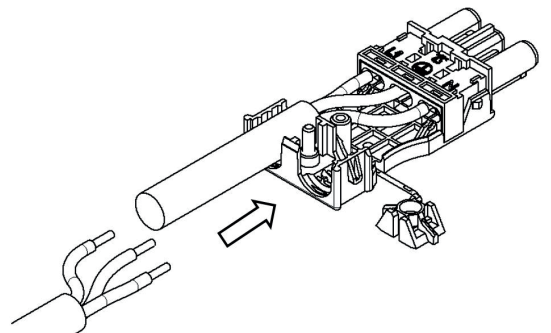
1.10



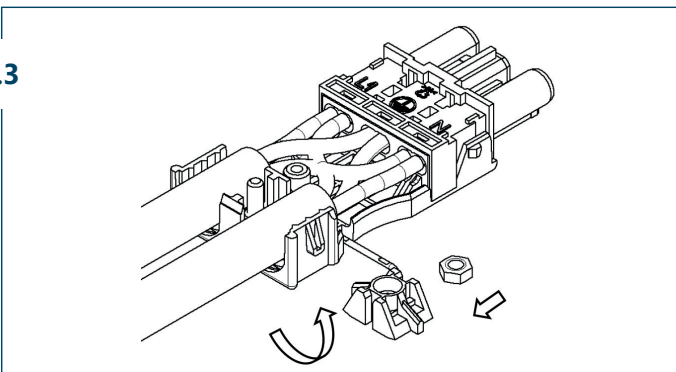
2.1



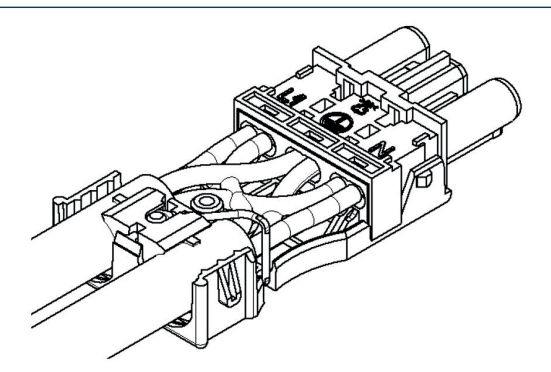
2.2



2.3

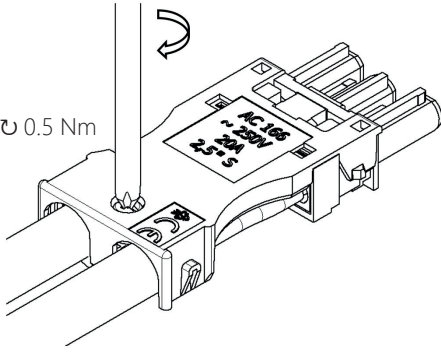


2.4

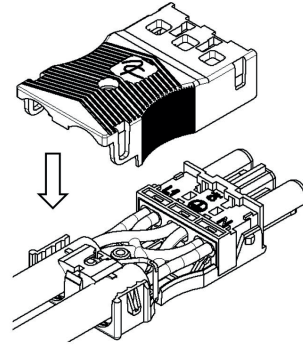


2.5

PZ 1 / \curvearrowright 0.5 Nm

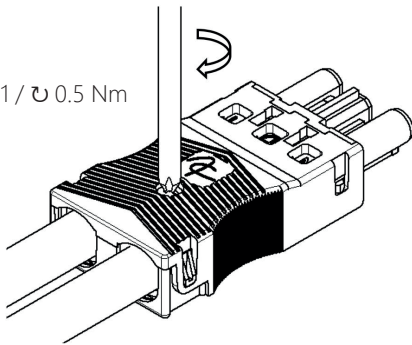


2.6



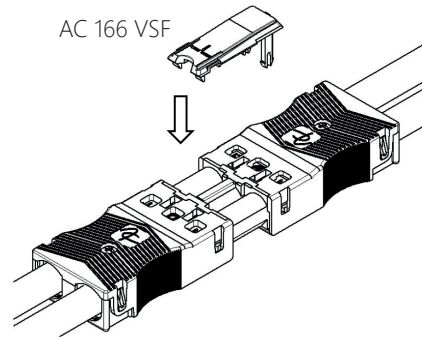
2.7

PZ 1 / \curvearrowright 0.5 Nm

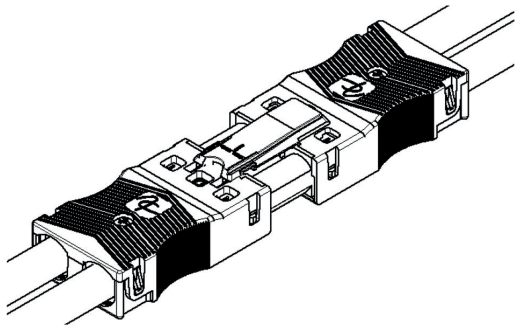


2.8

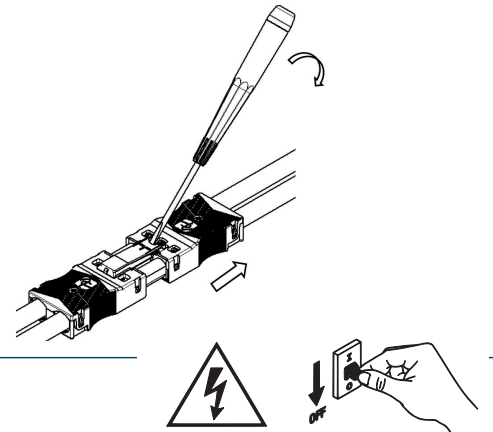
AC 166 VSF



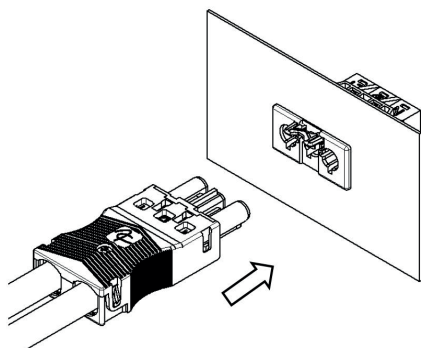
2.9



2.10



3.1



3.2

